



J-904F SERIES

FOUNDATION PILLAR JIB CRANE

CAPACITY UP TO 10 TONS

The Abell-Howe J-904F Series was developed to be a foundation mounted jib for heavy duty industrial applications.

BENEFITS & FEATURES

CAPACITIES

1/4 Ton to 10 Tons.

Boom Lengths up to 30 ft. on select capacities.

Under Boom Height from 8 to 30 ft.

SPECIFICATIONS

360 Degree Rotation on a Tapered Roller bearing providing full capacity vertical and radial thrust loading.

Lower section of the head revolves around the pillar on a pair of steel rollers equipped with self-aligning roller bearings.

Mast is mounted in concrete foundation. Removable sleeve is also available.

Anti Lift-off Device.

Bottom roller assembly can be shimmed for boom leveling.

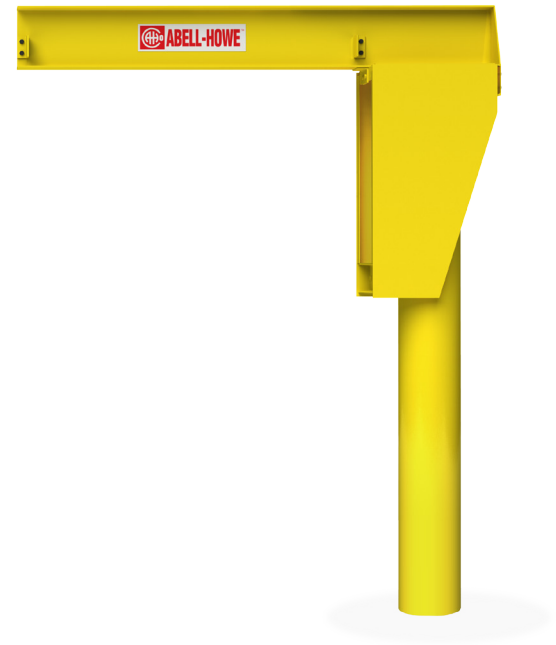
End stops at both ends of the boom for safe trolley travel.

COMPONENT MATERIAL

Mast - Fabricated from heavy wall structural steel pipe with wall thickness sized to minimize deflection.

Boom - W-beam section.

Head section - Rigid steel plate box type with welded construction for minimum deflection between boom and mast.



OPTIONAL ACCESSORIES

Removable Sleeve (FS Model)

Top entry air swivel or electric collector rings on most models.

Rotational stops.

Anchor Bolts with Template.

Wind or Position Lock.

Galvanizing/Custom paint finishes.

Spark-resistant and/or explosion proof construction for hazardous locations.

Electric, Air or Hand-gear rotation.

Manual Safety switch.

Messenger wire assembly.



J-904F FOUNDATION MOUNT PILLAR JIB CRANE

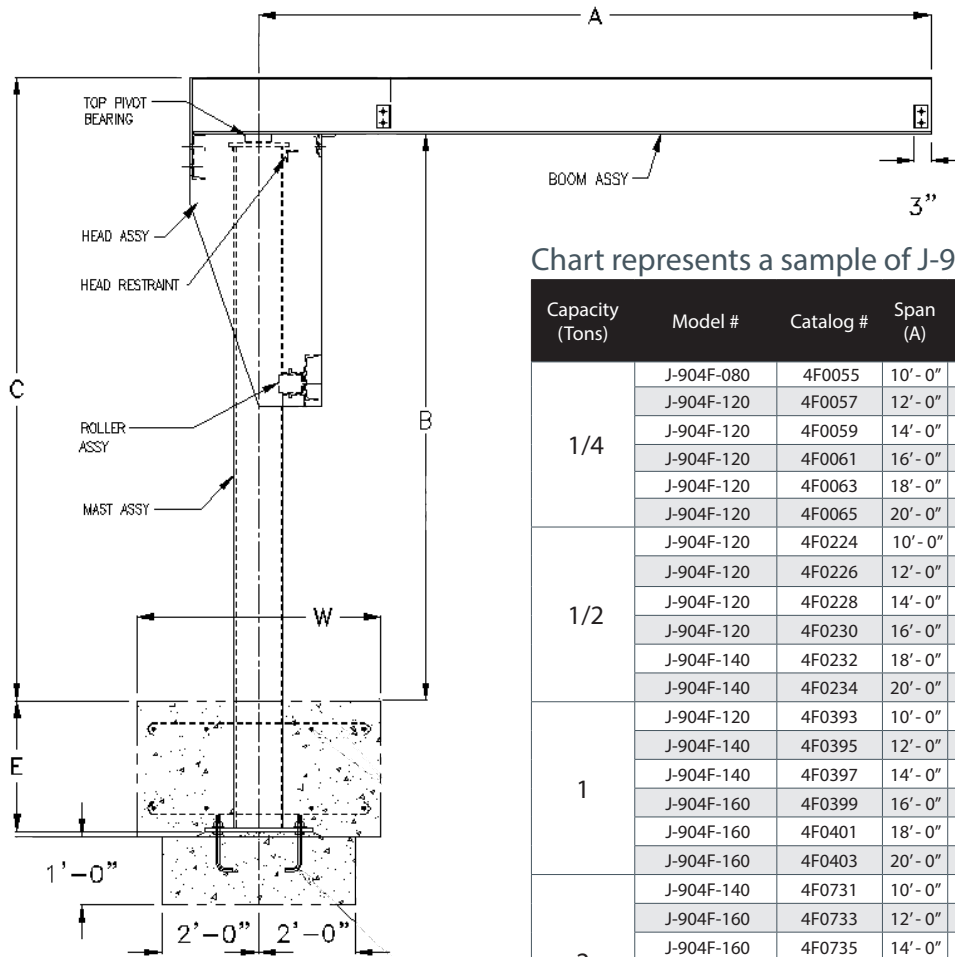
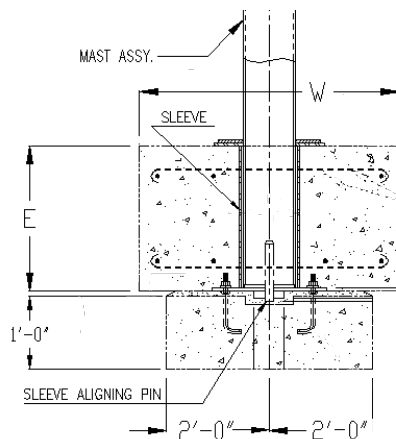


Chart represents a sample of J-904F Sizes & Capacities

Capacity (Tons)	Model #	Catalog #	Span (A)	Boom Height (B)	Overall Height (C)	Footing Depth (E)	Footing Width (W)
1/4	J-904F-080	4F0055	10'-0"	12'-0"	12'-6 1/4"	3'-0"	4'-0"
	J-904F-120	4F0057	12'-0"	12'-0"	12'-6 1/4"	3'-0"	4'-0"
	J-904F-120	4F0059	14'-0"	12'-0"	12'-8 1/4"	3'-0"	5'-0"
	J-904F-120	4F0061	16'-0"	12'-0"	12'-8 1/4"	3'-0"	5'-0"
	J-904F-120	4F0063	18'-0"	12'-0"	12'-10 3/8"	3'-0"	5'-0"
1/2	J-904F-120	4F0065	20'-0"	12'-0"	12'-10 3/8"	3'-0"	5'-0"
	J-904F-120	4F0224	10'-0"	12'-0"	12'-6 1/4"	3'-0"	4'-0"
	J-904F-120	4F0226	12'-0"	12'-0"	12'-8 1/4"	3'-0"	4'-0"
	J-904F-120	4F0228	14'-0"	12'-0"	13'-0 1/2"	3'-0"	5'-0"
	J-904F-120	4F0230	16'-0"	12'-0"	13'-0 1/2"	3'-0"	5'-0"
1	J-904F-140	4F0232	18'-0"	12'-0"	13'-4 1/8"	3'-0"	5'-0"
	J-904F-140	4F0234	20'-0"	12'-0"	13'-4 1/8"	3'-0"	5'-0"
	J-904F-120	4F0393	10'-0"	12'-0"	12'-8 1/4"	4'-0"	5'-0"
	J-904F-140	4F0395	12'-0"	12'-0"	12'-10 3/8"	4'-0"	6'-0"
	J-904F-140	4F0397	14'-0"	12'-0"	13'-0 1/2"	4'-0"	6'-0"
2	J-904F-160	4F0399	16'-0"	12'-0"	13'-0 1/2"	4'-0"	7'-0"
	J-904F-160	4F0401	18'-0"	12'-0"	13'-4 1/8"	4'-0"	7'-0"
	J-904F-160	4F0403	20'-0"	12'-0"	13'-4 1/8"	4'-0"	7'-0"
	J-904F-140	4F0731	10'-0"	12'-0"	13'-0 1/2"	4'-0"	6'-0"
	J-904F-160	4F0733	12'-0"	12'-0"	13'-0 1/2"	4'-0"	7'-0"
3	J-904F-160	4F0735	14'-0"	12'-0"	13'-4 1/8"	4'-0"	7'-0"
	J-904F-160	4F0737	16'-0"	12'-0"	13'-6 1/8"	4'-0"	8'-0"
	J-904F-180	4F0739	18'-0"	12'-0"	13'-6 1/8"	4'-0"	8'-0"
	J-904F-180	4F0741	20'-0"	12'-0"	13'-6 1/8"	4'-0"	8'-0"
	J-904F-160	4F0900	10'-0"	12'-0"	13'-4 1/8"	4'-0"	7'-0"
5	J-904F-180	4F0902	12'-0"	12'-0"	13'-4 1/8"	4'-0"	7'-0"
	J-904F-180	4F0904	14'-0"	12'-0"	13'-6 1/8"	4'-0"	8'-0"
	J-904F-200	4F0906	16'-0"	12'-0"	13'-6 1/8"	4'-0"	8'-0"
	J-904F-200	4F0908	18'-0"	12'-0"	13'-9"	4'-0"	9'-0"
	J-904F-240	4F0910	20'-0"	12'-0"	14'-0 1/8"	4'-0"	9'-0"
5	J-904F-200	4F1238	10'-0"	12'-0"	13'-6 1/8"	4'-0"	9'-0"
	J-904F-240	4F1240	12'-0"	12'-0"	13'-6 1/8"	4'-0"	9'-0"
	J-904F-240	4F1242	14'-0"	12'-0"	13'-9"	4'-0"	9'-0"
	J-904F-240	4F1244	16'-0"	12'-0"	14'-0 1/8"	4'-0"	10'-0"
	J-904F-300H	4F1246	18'-0"	12'-0"	14'-0 1/4"	4'-0"	10'-0"
J-904F-300H	4F1248	20'-0"	12'-0"	14'-0 1/4"	4'-0"	10'-0"	

Foundation Sleeve Option (J904FS):



Optional Models:

Part #	Description
J-904FMD	Foundation Mount - Electric Motor Drive
J-904FAMD	Foundation Mount - Air Motor Drive
J-904FHG	Foundation Mount - Hand Geared

* Change F to FS for option with Sleeve mount ex: J-904FSMD - Removable Sleeve - Electric Motor Drive